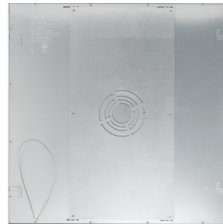
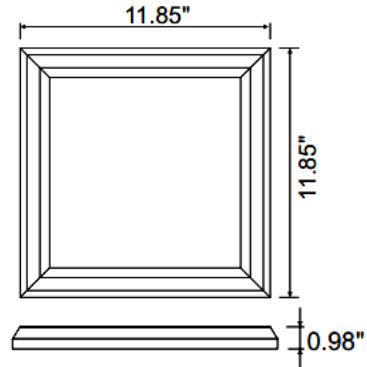


DIMENSIONS:

11.85"(L)X11.85"(W)X0.98"(H)



Surface Mount
Bracket Included



LPS-1X1-50K-D
LPS-1X1-40K-D
LPS-1X1-30K-D

LED SURFACE MOUNT PANELS

Ideal for hotel, offices, retail outlets, restaurant, parking garages, storage room, conference room, education facilities and more.

ELECTRICAL SPECIFICATIONS:

- Voltage: 120-277VAC 50/60Hz
- Wattage: 18W
- Power factor: >0.95
- Efficacy: 94LM/W

HOUSING SPECIFICATIONS:

- White Finish Surface mount panel
- Internal Driver
- Operating temperature: -13°F ~ 104°F
- Lifespan: 50,000 hrs.
- Suitable for Damp Locations

CERTIFICATIONS: UL



MODEL	WATTS	VOLTAGE	LUMENS UP/DOWN	COLOR TEMP
LPS-1X1-50K-D	18W	120~277VAC	1700LM	5000K
LPS-1X1-40K-D	18W	120~277VAC	1700LM	4000K
LPS-1X1-30K-D	18W	120~277VAC	1700LM	3000K

LIGHTING SPECIFICATIONS:

- Dimming: 0~10V Dimmable
- Recommended Dimmers: DIVA-DVTV(LUTRON)
- Total lumens: 1700LM
- Color temperature: 5000K/4000K/3000K
- Color rendering index: >80

WARRANTY: 5 years

